

Control Switch

T Series Full Metal



Control Switch

T Series Full Metal

Part Number Description

T	1	2	3	4	5	6	7	8
1 Model	16 : Ø16	19 : Ø19	22 : Ø22	25 : Ø25	30 : Ø30			
2 Operator Type	1 : Pilot Light 6 : 2 Position Key	2 : Momentary Push 7 : 3 Position Key	3 : Maintained Push 8 : Emergency Stop	4 : 2 Position Selector	5 : 3 Position Selector			
3 Illumination & Shape	1 : Non-illuminated Round		7 : Illuminated LED Round		C : Continuous			
4 Contact Form	0 : No Contact	1 : 1C(1N/O + 1N/C)	2 : 2C(2N/O + 2N/C)					
5 Button Type	No mark : Flush Head P : Power Marking Q : Lit type*	H : Extended (Non-illuminated) HC : Extended (Illuminated)		A : Dome(Non-illuminated)* AC : Dome(Illuminated)*				
6 Install Style	P : Standard	S : Bolt Type*(Only Pilot light)						
7 Color	R : Red K : Black*	G : Green	Y : Yellow	B : Blue	W : White			
8 Rated Voltage	D06 : 6VDC*	D12 : 12VDC	D4 : 24VDC	A1 : 110VAC*		A2 : 220VAC		

- ※ * The mark is on demand.
- ※ Bolt type is available only for indicators.
- ※ Black color for each model is on-demand.
- ※ 6VDC, 12VDC (out of balance) and 110VAC for each model are on-demand.

General Specification




Type	T16	T19	T22, 25, 30	
General Ratings	Contact Resistance	Max. 50mΩ		
	Insulation Resistance	Min. 100MΩ (500VDC)		
	Dielectric Strength	2,000VAC (1or 1 minute)		
	Vibration Resistance	5 - 55Hz dual amplitude : 0.75mm Operation		
	Shock Resistance	Endurance : 500m/s ² , operation : 200m/s ²		
	Life Cycles	Mechanical	Momentary : Min. 1,000,000	
			Maintained : Min. 250,000	
		Electrical	Momentary : Min. 100,000 (frequency of on/off 1,200 times / hour)	
			Maintained : Min. 50,000	
	Ambient Temperature \	Temperature : --25°C - +55°C (with no icing or condensation)		
	Ambient Humidity	45% - 85%RH		
	Degree of Protection	IP67	IP40 : Buzzer, Key, S/S	
	Terminal Soldering Temperature	260°C 3sec		
Contact Ratings	Contact Type	1N/O + 1N/C, 2N/O + 2N/C		
	Contact Material	Ag alloy (24K gold plate)		
	Rated Insulation Voltage	250VAC		
	Maximum Switching Current	3A	5A	
	Maximum Switching Voltage	250VAC, 110VDC		
	Current Rated	1A 24VDC / 120VAC		3A 24VDC / 120VAC
		0.5A 250VAC		1.5A 250VAC
	Minimum Switching Current	1mA 5VDC		
Illumination	Lens Color	Red, Green, Yellow, Blue, White, Black		
	Operator type	Round		
	Rated Voltage	6VDC, 12VDC, 24VDC, 110VAC, 220VAC		
	Rated Current	Approx. 15mA		
	Life Cycles ¹⁾	50,000 hours		
Buzzer	Sound Type	Continuous		
	Volume	80dB (Phon)		
	Rated Voltage	24VDC		
	Rated Current	Approx. 15mA		
	Life Cycles	1,000 hours		

1) Luminance is reduced to 50% of initial intensity after being lit for 50,000 hours continuously.

Control Switch

T Series - Ø 16

Products Selection

	Operator Type	Ø	Contact Form	LED Color	Rated Voltage	Part Number		
	Illuminated LED Pilot Light Flush head Switch Standard	Ø 16	-	Red	12VDC(D12) 24VDC(D4) 220VAC(A2)	T16-170PR		
				Green		T16-170PG		
				Yellow		T16-170PY		
				Blue		T16-170PB		
				White		T16-170PW		
	Non-Illuminated Momentary Push Button Flush head Switch Standard	Ø 16	1N/O + 1N/C	-	-	T16-211P		
			2N/O + 2N/C	-	-	T16-212P		
			Non-Illuminated Maintained Push Button Flush head Switch Standard	Ø 16	1N/O + 1N/C	-	-	T16-311P
					2N/O + 2N/C	-	-	T16-312P
	Non-Illuminated Momentary Push Button Extended head Switch Standard	Ø 16	1N/O + 1N/C	-	-	T16-211HP		
			2N/O + 2N/C	-	-	T16-212HP		
			Non-Illuminated Maintained Push Button Extended head Switch Standard	Ø 16	1N/O + 1N/C	-	-	T16-311HP
					2N/O + 2N/C	-	-	T16-312HP

Products Selection

	Operator Type	Ø	Contact Form	LED Color	Rated Voltage	Part Number	
	Illuminated LED Momentary Push Button Flush head Switch Standard	Ø 16	1N/O + 1N/C	Red	12VDC(D12) 24VDC(D4) 220VAC(A2)	T16-271PR	
				Green		T16-271PG	
				Yellow		T16-271PY	
				Blue		T16-271PB	
				White		T16-271PW	
				2N/O + 2N/C	Red	12VDC(D12) 24VDC(D4) 220VAC(A2)	T16-272PR
					Green		T16-272PG
					Yellow		T16-272PY
					Blue		T16-272PB
					White		T16-272PW
	Illuminated LED Maintained Push Button Flush head Switch Standard	Ø 16	1N/O + 1N/C	Red	12VDC(D12) 24VDC(D4) 220VAC(A2)	T16-371PR	
				Green		T16-371PG	
				Yellow		T16-371PY	
				Blue		T16-371PB	
				White		T16-371PW	
				2N/O + 2N/C	Red	12VDC(D12) 24VDC(D4) 220VAC(A2)	T16-372PR
					Green		T16-372PG
					Yellow		T16-372PY
					Blue		T16-372PB
					White		T16-372PW
	Illuminated LED Momentary Push Button Extended head Switch Standard	Ø 16	1N/O + 1N/C	Red	24VDC(D4) 220VAC(A2)	T16-271H CPR	
				Green		T16-271H CPG	
				Yellow		T16-271H CPY	
				Blue		T16-271H CPB	
				White		T16-271H CPW	
				2N/O + 2N/C	Red	24VDC(D4) 220VAC(A2)	T16-272H CPR
					Green		T16-272H CPG
					Yellow		T16-272H CPY
					Blue		T16-272H CPB
					White		T16-272H CPW
	Illuminated LED Momentary Push Button Extended head Switch Standard	Ø 16	1N/O + 1N/C	Red	24VDC(D4) 220VAC(A2)	T16-371H CPR	
				Green		T16-371H CPG	
				Yellow		T16-371H CPY	
				Blue		T16-371H CPB	
				White		T16-371H CPW	
				2N/O + 2N/C	Red	24VDC(D4) 220VAC(A2)	T16-372H CPR
					Green		T16-372H CPG
					Yellow		T16-372H CPY
					Blue		T16-372H CPB
					White		T16-372H CPW

Human-Machine
Interface




Control Switch

T Series - Ø 16

Products Selection

	Operator Type	Ø	Contact Form	LED Color	동작 방식	Rated Voltage	Part Number	
	Non-Illuminated 2 Position Selector Switch Standard	Ø 16	1N/O + 1N/C	-		-	T16-411P	
			2N/O + 2N/C	-			T16-412P	
	Non-Illuminated 3 Position Selector Switch Standard	Ø 16	2N/O + 2N/C	-		-	T16-512P	
	Illuminated 2 Position Selector Switch Standard	Ø 16	1N/O + 1N/C	Red		24VDC(D4) 220VAC(A2)	T16-471PR	
				Green			T16-471PG	
				Yellow			T16-471PY	
				Blue			T16-471PB	
				White			T16-471PW	
	Illuminated 2 Position Selector Switch Standard	Ø 16	2N/O + 2N/C	Red		24VDC(D4) 220VAC(A2)	T16-472PR	
				Green			T16-472PG	
				Yellow			T16-472PY	
				Blue			T16-472PB	
				White			T16-472PW	
	Illuminated 3 Position Selector Switch Standard	Ø 16	2N/O + 2N/C	Red		24VDC(D4) 220VAC(A2)	T16-572PR	
				Green			T16-572PG	
				Yellow			T16-572PY	
				Blue			T16-572PB	
				White			T16-572PW	
	2 Position Key Switch Standard	Ø 16	1N/O + 1N/C	-		-	T16-611P	
			2N/O + 2N/C	-		-	T16-612P	
	3 Position Key Switch Standard	Ø 16	2N/O + 2N/C	-			-	T16-712P
		Power Marking Illuminated LED Momentary Push Button Flush head Switch Standard	Ø 16	1N/O + 1N/C	Red		24VDC(D4) 220VAC(A2)	T16-271PPR
					Green			T16-271PPG
Power Marking Illuminated LED Momentary Push Button Flush head Switch Standard		Ø 16	2N/O + 2N/C	Red		24VDC(D4) 220VAC(A2)	T16-272PPR	
				Green			T16-272PPG	

Products Selection

	Operator Type	Ø	Contact Form	LED Color	Rated Voltage	Part Number		
	Illuminated LED Pilot Light Flush head Switch Standard	Ø 19	-	Red	12VDC(D12) 24VDC(D4) 220VAC(A2)	T19-170PR		
				Green		T19-170PG		
				Yellow		T19-170PY		
				Blue		T19-170PB		
				White		T19-170PW		
	Non-Illuminated Momentary Push Button Flush head Switch Standard	Ø 19	1N/O + 1N/C	-	-	T19-211P		
			2N/O + 2N/C	-	-	T19-212P		
			Non-Illuminated Maintained Push Button Flush head Switch Standard	Ø 19	1N/O + 1N/C	-	-	T19-311P
					2N/O + 2N/C	-	-	T19-312P
	Non-Illuminated Momentary Push Button Extended head Switch Standard	Ø 19	1N/O + 1N/C	-	-	T19-211HP		
			2N/O + 2N/C	-	-	T19-212HP		
			Non-Illuminated Maintained Push Button Extended head Switch Standard	Ø 19	1N/O + 1N/C	-	-	T19-311HP
					2N/O + 2N/C	-	-	T19-312HP

Human-Machine
Interface

Control Switch

T Series - Ø 19

Products Selection

	Operator Type	Ø	Contact Form	LED Color	Rated Voltage	Part Number
	Illumination 누름버튼 (복귀) 스위치 평형, 일반형	Ø 19	1N/O + 1N/C	Red	12VDC(D12) 24VDC(D4) 220VAC(A2)	T19-271PR
				Green		T19-271PG
				Yellow		T19-271PY
				Blue		T19-271PB
				White		T19-271PW
			2N/O + 2N/C	Red	12VDC(D12) 24VDC(D4) 220VAC(A2)	T19-272PR
				Green		T19-272PG
				Yellow		T19-272PY
				Blue		T19-272PB
				White		T19-272PW
	Illuminated LED Maintained Push Button Flush head Switch Standard	Ø 19	1N/O + 1N/C	Red	12VDC(D12) 24VDC(D4) 220VAC(A2)	T19-371PR
				Green		T19-371PG
				Yellow		T19-371PY
				Blue		T19-371PB
				White		T19-371PW
			2N/O + 2N/C	Red	12VDC(D12) 24VDC(D4) 220VAC(A2)	T19-372PR
				Green		T19-372PG
				Yellow		T19-372PY
				Blue		T19-372PB
				White		T19-372PW
	Illuminated LED Momentary Push Button Extended head Switch Standard	Ø 19	1N/O + 1N/C	Red	24VDC(D4) 220VAC(A2)	T19-271HCPR
				Green		T19-271HCPG
				Yellow		T19-271HCPY
				Blue		T19-271HCPB
				White		T19-271HCPW
			2N/O + 2N/C	Red	24VDC(D4) 220VAC(A2)	T19-272HCPR
				Green		T19-272HCPG
				Yellow		T19-272HCPY
				Blue		T19-272HCPB
				White		T19-272HCPW
	Illuminated LED Momentary Push Button Extended head Switch Standard	Ø 19	1N/O + 1N/C	Red	24VDC(D4) 220VAC(A2)	T19-371HCPR
				Green		T19-371HCPG
				Yellow		T19-371HCPY
				Blue		T19-371HCPB
				White		T19-371HCPW
			2N/O + 2N/C	Red	24VDC(D4) 220VAC(A2)	T19-372HCPR
				Green		T19-372HCPG
				Yellow		T19-372HCPY
				Blue		T19-372HCPB
				White		T19-372HCPW

Products Selection

	Operator Type	Ø	Contact Form	LED Color	동작방식	Rated Voltage	Part Number
	Illuminated 2 Position Selector Switch Standard	Ø 19	1N/O + 1N/C	-		-	T19-411P
			2N/O + 2N/C	-	-	-	T19-412P
	Non-Illuminated 3 Position Selector Switch Standard	Ø 19	2N/O + 2N/C	-		-	T19-512P
	Illuminated 2 Position Selector Switch Standard	Ø 19	1N/O + 1N/C	Red		24VDC(D4) 220VAC(A2)	T19-471PR
				Green			T19-471PG
				Yellow			T19-471PY
				Blue			T19-471PB
				White			T19-471PW
	Illuminated 3 Position Selector Switch Standard	Ø 19	2N/O + 2N/C	Red		24VDC(D4) 220VAC(A2)	T19-472PR
				Green			T19-472PG
				Yellow			T19-472PY
				Blue			T19-472PB
				White			T19-472PW
	Illuminated 3 Position Selector Switch Standard	Ø 19	2N/O + 2N/C	Red		24VDC(D4) 220VAC(A2)	T19-572PR
				Green			T19-572PG
				Yellow			T19-572PY
				Blue			T19-572PB
				White			T19-572PW

Control Switch

T Series - Ø 22

Products Selection

	Operator Type	Ø	Contact Form	LED Color	동작 방식	Rated Voltage	Part Number
	2 Position Key Switch Standard	Ø 19	1N/O + 1N/C	-		-	T19-611P
			2N/O + 2N/C	-		-	T19-612P
	3 Position Key Switch Standard	Ø 19	2N/O + 2N/C	-		-	T19-712P
	Emergency Stop Switch Standard	Ø 19	1N/O + 1N/C	Red	-	-	T19-811P
			2N/O + 2N/C	Red	-	-	T19-812P
	Emergency Stop Switch Dome Standard	Ø 19	1N/O + 1N/C	Red	-	-	T19-811AP
			2N/O + 2N/C	Red	-	-	T19-812AP
	Illuminated LED Buzzer Standard	Ø 19	-	Red	-	24VDC(D4)	T19-CZCR
	Power Marking Illuminated LED Momentary Push Button Flush head Switch Standard	Ø 19	1N/O + 1N/C	Red		24VDC(D4) 220VAC(A2)	T19-271PPR
				Green			T19-271PPG
				Red			T19-272PPR
		Ø 19	2N/O + 2N/C	Green		24VDC(D4) 220VAC(A2)	T19-272PPG

Products Selection






	Operator Type	Ø	Contact Form	LED Color	Rated Voltage	Part Number
	Illuminated LED Pilot Light Flush head Switch Standard	Ø 22	-	Red	12VDC(D12) 24VDC(D4) 220VAC(A2)	T22-170PR
				Green		T22-170PG
				Yellow		T22-170PY
				Blue		T22-170PB
				White		T22-170PW
	Non-Illuminated Momentary Push Button Flush head Switch Standard	Ø 22	1N/O + 1N/C	-	-	T22-211P
			2N/O + 2N/C	-	-	T22-212P
	Non-Illuminated Maintained Push Button Flush head Switch Standard	Ø 22	1N/O + 1N/C	-	-	T22-311P
			2N/O + 2N/C	-	-	T22-312P
	Non-Illuminated Momentary Push Button Extended head Switch Standard	Ø 22	1N/O + 1N/C	-	-	T22-211HP
			2N/O + 2N/C	-	-	T22-212HP
	Non-Illuminated Maintained Push Button Extended head Switch Standard	Ø 22	1N/O + 1N/C	-	-	T22-311HP
			2N/O + 2N/C	-	-	T22-312HP
	Illuminated LED Momentary Push Button Flush head Switch Standard	Ø 22	1N/O + 1N/C	Red	12VDC(D12) 24VDC(D4) 220VAC(A2)	T22-271PR
				Green		T22-271PG
				Yellow		T22-271PY
				Blue		T22-271PB
				White		T22-271PW
			2N/O + 2N/C	Red	12VDC(D12) 24VDC(D4) 220VAC(A2)	T22-272PR
				Green		T22-272PG
				Yellow		T22-272PY
				Blue		T22-272PB
				White		T22-272PW
	Illuminated LED Maintained Push Button Flush head Switch Standard	Ø 22	1N/O + 1N/C	Red	12VDC(D12) 24VDC(D4) 220VAC(A2)	T22-371PR
				Green		T22-371PG
				Yellow		T22-371PY
				Blue		T22-371PB
				White		T22-371PW
			2N/O + 2N/C	Red	12VDC(D12) 24VDC(D4) 220VAC(A2)	T22-372PR
				Green		T22-372PG
				Yellow		T22-372PY
				Blue		T22-372PB
				White		T22-372PW

Human-Machine Interface

Control Switch

T Series - Ø 22

Products Selection




	Operator Type	Ø	Contact Form	LED Color	동작방식	Rated Voltage	Part Number	
	Illuminated LED Momentary Push Button Extended head Switch Standard	Ø 22	1N/O + 1N/C	Red	-	24VDC(D4) 220VAC(A2)	T22-271HCPR	
				Green			T22-271HCPG	
				Yellow			T22-271HCPY	
				Blue			T22-271HCPB	
				White			T22-271HCPW	
	Illuminated LED Maintained Push Button Extended head Switch Standard	Ø 22	2N/O + 2N/C	Red	-	24VDC(D4) 220VAC(A2)	T22-272HCPR	
				Green			T22-272HCPG	
				Yellow			T22-272HCPY	
				Blue			T22-272HCPB	
				White			T22-272HCPW	
	Illuminated LED Maintained Push Button Extended head Switch Standard	Ø 22	1N/O + 1N/C	Red	-	24VDC(D4) 220VAC(A2)	T22-371HCPR	
				Green			T22-371HCPG	
				Yellow			T22-371HCPY	
				Blue			T22-371HCPB	
				White			T22-371HCPW	
	Illuminated LED Maintained Push Button Extended head Switch Standard	Ø 22	2N/O + 2N/C	Red	-	24VDC(D4) 220VAC(A2)	T22-372HCPR	
				Green			T22-372HCPG	
				Yellow			T22-372HCPY	
				Blue			T22-372HCPB	
				White			T22-372HCPW	
	Illuminated 2 Position Selector Switch Standard	Ø 22	1N/O + 1N/C	-	90°	-	T22-411P	
			2N/O + 2N/C	-	90°	-	T22-412P	
	Non-Illuminated 3 Position Selector Switch Standard	Ø 22	2N/O + 2N/C	-	-	45° 45°	-	T22-512P
				-	-	45° 45°	-	T22-512P
	Illuminated 2 Position Selector Switch Standard	Ø 22	1N/O + 1N/C	Red	90°	24VDC(D4) 220VAC(A2)	T22-471PR	
				Green			T22-471PG	
				Yellow			T22-471PY	
				Blue			T22-471PB	
				White			T22-471PW	
	Illuminated 2 Position Selector Switch Standard	Ø 22	2N/O + 2N/C	Red	90°	24VDC(D4) 220VAC(A2)	T22-472PR	
				Green			T22-472PG	
				Yellow			T22-472PY	
				Blue			T22-472PB	
				White			T22-472PW	
	Illuminated 3 Position Selector Switch Standard	Ø 22	2N/O + 2N/C	Red	45° 45°	24VDC(D4) 220VAC(A2)	T22-572PR	
				Green			T22-572PG	
				Yellow			T22-572PY	
				Blue			T22-572PB	
				White			T22-572PW	

Products Selection

	Operator Type	Ø	Contact Form	LED Color	동작 방식	Rated Voltage	Part Number
	2 Position Key Switch Standard	Ø 22	1N/O + 1N/C	-		-	T22-611P
			2N/O + 2N/C	-		-	T22-612P
	3 Position Key Switch Standard	Ø 22	2N/O + 2N/C	-		-	T22-712P
	Emergency Stop Switch Standard	Ø 22	1N/O + 1N/C	Red	-	-	T22-811P
			2N/O + 2N/C	Red	-	-	T22-812P
	Illuminated LED Buzzer Standard	Ø 22	-	Red	-	24VDC(D4)	T22-CZCR
	Power Marking Illuminated LED Momentary Push Button Flush head Switch Standard	Ø 22	1N/O + 1N/C	Red	-	24VDC(D4) 220VAC(A2)	T22-271PPR
				Green	-		T22-271PPG
		Ø 22	2N/O + 2N/C	Red	-	24VDC(D4) 220VAC(A2)	T22-272PPR
				Green	-		T22-272PPG



T Series - Ø 25

Products Selection

	Operator Type	Ø	Contact Form	LED Color	Rated Voltage	Part Number		
	Illuminated LED Pilot Light Flush head Switch Standard	Ø 25	-	Red	12VDC(D12) 24VDC(D4) 220VAC(A2)	T25-170PR		
				Green		T25-170PG		
				Yellow		T25-170PY		
				Blue		T25-170PB		
				White		T25-170PW		
	Non-Illuminated Momentary Push Button Flush head Switch Standard	Ø 25	1N/O + 1N/C	-	-	T25-211P		
			2N/O + 2N/C	-	-	T25-212P		
			Non-Illuminated Maintained Push Button Flush head Switch Standard	Ø 25	1N/O + 1N/C	-	-	T25-311P
					2N/O + 2N/C	-	-	T25-312P
	Non-Illuminated Momentary Push Button Extended head Switch Standard	Ø 25	1N/O + 1N/C	-	-	T25-211HP		
			2N/O + 2N/C	-	-	T25-212HP		
			Non-Illuminated Maintained Push Button Extended head Switch Standard	Ø 25	1N/O + 1N/C	-	-	T25-311HP
					2N/O + 2N/C	-	-	T25-312HP

Control Switch

Products Selection

	Operator Type	Ø	Contact Form	LED Color	Rated Voltage	Part Number	
	Illuminated LED Momentary Push Button Flush head Switch Standard	Ø 25	1N/O + 1N/C	Red	12VDC(D12) 24VDC(D4) 220VAC(A2)	T25-271PR	
				Green		T25-271PG	
				Yellow		T25-271PY	
				Blue		T25-271PB	
				White		T25-271PW	
				2N/O + 2N/C	Red	12VDC(D12) 24VDC(D4) 220VAC(A2)	T25-272PR
					Green		T25-272PG
					Yellow		T25-272PY
					Blue		T25-272PB
					White		T25-272PW
	Illuminated LED Maintained Push Button Flush head Switch Standard	Ø 25	1N/O + 1N/C	Red	12VDC(D12) 24VDC(D4) 220VAC(A2)	T25-371PR	
				Green		T25-371PG	
				Yellow		T25-371PY	
				Blue		T25-371PB	
				White		T25-371PW	
				2N/O + 2N/C	Red	12VDC(D12) 24VDC(D4) 220VAC(A2)	T25-372PR
					Green		T25-372PG
					Yellow		T25-372PY
					Blue		T25-372PB
					White		T25-372PW

Control Switch

T Series - Ø 22


Products Selection

	Operator Type	Ø	Contact Form	LED Color	Rated Voltage	Part Number		
	Illuminated LED Pilot Light Flush head Switch Standard	Ø 30	-	Red	12VDC(D12) 24VDC(D4) 220VAC(A2)	T30-170PR		
				Green		T30-170PG		
				Yellow		T30-170PY		
				Blue		T30-170PB		
				White		T30-170PW		
	Non-Illuminated Momentary Push Button Flush head Switch Standard	Ø 30	1N/O + 1N/C	-	-	T30-211P		
			2N/O + 2N/C	-	-	T30-212P		
			Non-Illuminated Maintained Push Button Flush head Switch Standard	Ø 30	1N/O + 1N/C	-	-	T30-311P
					2N/O + 2N/C	-	-	T30-312P
	Non-Illuminated Momentary Push Button Extended head Switch Standard	Ø 30	1N/O + 1N/C	-	-	T30-211HP		
			2N/O + 2N/C	-	-	T30-212HP		
			Non-Illuminated Maintained Push Button Extended head Switch Standard	Ø 30	1N/O + 1N/C	-	-	T30-311HP
					2N/O + 2N/C	-	-	T30-312HP


Products Selection

	Operator Type	Ø	Contact Form	LED Color	Rated Voltage	Part Number
	Illuminated LED Momentary Push Button Flush head Switch Standard	Ø 30	1N/O + 1N/C	Red	12VDC(D12) 24VDC(D4) 220VAC(A2)	T30-271PR
				Green		T30-271PG
				Yellow		T30-271PY
				Blue		T30-271PB
				White		T30-271PW
	Illuminated LED Maintained Push Button Flush head Switch Standard	Ø 30	2N/O + 2N/C	Red	12VDC(D12) 24VDC(D4) 220VAC(A2)	T30-272PR
				Green		T30-272PG
				Yellow		T30-272PY
				Blue		T30-272PB
				White		T30-272PW
	Illuminated LED Maintained Push Button Flush head Switch Standard	Ø 30	1N/O + 1N/C	Red	12VDC(D12) 24VDC(D4) 220VAC(A2)	T30-371PR
				Green		T30-371PG
				Yellow		T30-371PY
				Blue		T30-371PB
				White		T30-371PW
	Illuminated LED Maintained Push Button Flush head Switch Standard	Ø 30	2N/O + 2N/C	Red	12VDC(D12) 24VDC(D4) 220VAC(A2)	T30-372PR
				Green		T30-372PG
				Yellow		T30-372PY
				Blue		T30-372PB
				White		T30-372PW
	Illuminated LED Momentary Push Button Extended head Switch Standard	Ø 30	1N/O + 1N/C	Red	24VDC(D4) 220VAC(A2)	T30-271HCPR
				Green		T30-271HCPG
				Yellow		T30-271HCPY
				Blue		T30-271HCPB
				White		T30-271HCPW
	Illuminated LED Momentary Push Button Extended head Switch Standard	Ø 30	2N/O + 2N/C	Red	24VDC(D4) 220VAC(A2)	T30-272HCPR
				Green		T30-272HCPG
				Yellow		T30-272HCPY
				Blue		T30-272HCPB
				White		T30-272HCPW
	Illuminated LED Maintained Push Button Extended head Switch Standard	Ø 30	1N/O + 1N/C	Red	24VDC(D4) 220VAC(A2)	T30-371HCPR
				Green		T30-371HCPG
				Yellow		T30-371HCPY
				Blue		T30-371HCPB
				White		T30-371HCPW
	Illuminated LED Maintained Push Button Extended head Switch Standard	Ø 30	2N/O + 2N/C	Red	24VDC(D4) 220VAC(A2)	T30-372HCPR
				Green		T30-372HCPG
				Yellow		T30-372HCPY
				Blue		T30-372HCPB
				White		T30-372HCPW

Products Selection

	Operator Type	Ø	Contact Form	LED Color	Rated Voltage	Part Number
	Power Marking Illuminated LED Momentary Push Button Flush head Switch Standard	Ø 30	1N/O + 1N/C	Red	24VDC(D4) 220VAC(A2)	T30-271PPR
				Green		T30-271PPG
			2N/O + 2N/C	Red	24VDC(D4) 220VAC(A2)	T30-272PPR
				Green		T30-272PPG

Accessory

Operator Type & Shape	LED Color	Part Number	T Series	Application Series(PL / PB / PBL)			
				Ø20 K Series Flusy Type	Ø20 F Series Flusy Type	Ø25 K25F Series Flusy Type	Ø30 K30F Series Flusy Type
Ø 16 보호 커버	투명	T16-C	✓	-	-	-	-
Ø 19 보호 커버	투명	T19-C	✓	-	-	-	-
 Ø 22 보호 커버	투명	T22-C	✓	✓	✓	-	-
Ø 25 보호 커버	투명	T25-C	✓	-	-	✓	-
Ø 30 보호 커버	투명	T30-C	✓	-	-	-	✓

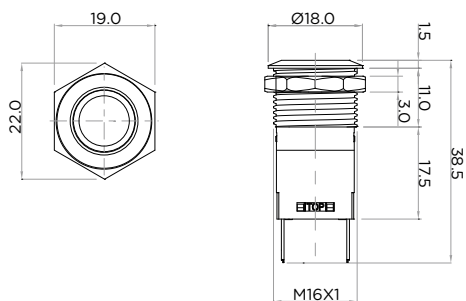
※ T □ -C protective cover is applicable only to PL / PB / PBL.

Dimension

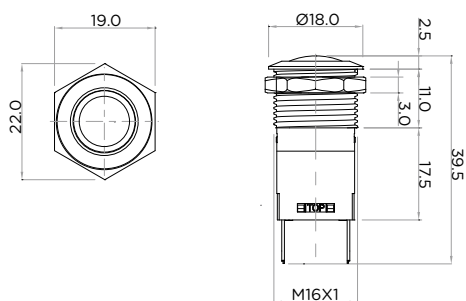
unit : mm

T16 Series - Ø16

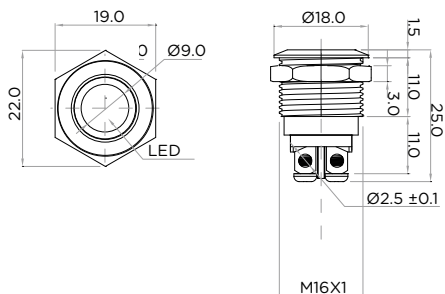
LED Pilot lamp



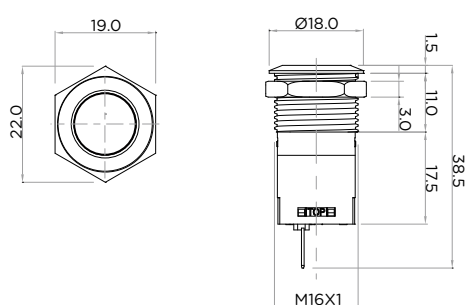
LED Pilot lamp(Dome)



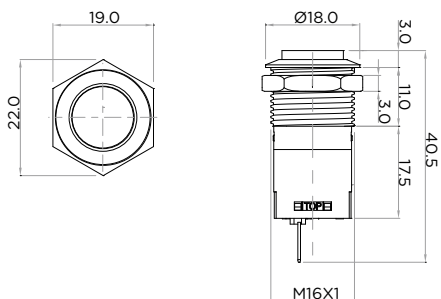
LED Pilot lamp (Lit Type , Bolt Type)



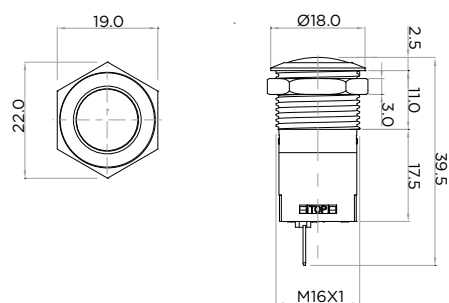
Non-Illumination Push Button Switch (Flush)



Non-Illumination Push Button Switch (Extended)



Non-Illumination Push Button Switch (Dome)



Human-Machine Interface

Control Switch

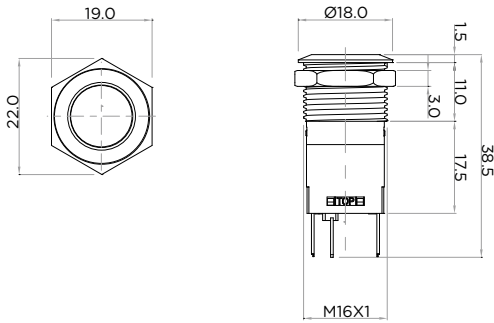
T Series

Dimension

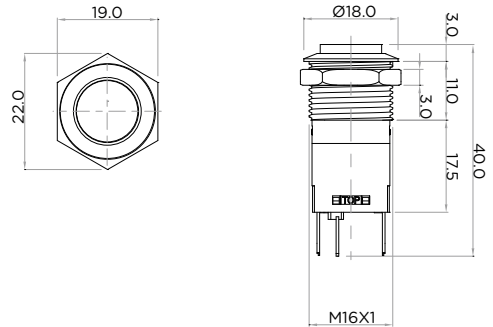
unit : mm

T16 Series - Ø16

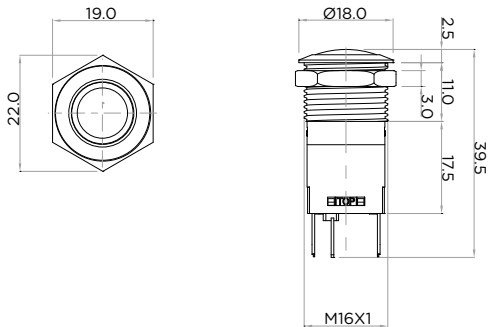
Illumination Push Button Switch (Flush)



Illumination Push Button Switch (Extended)



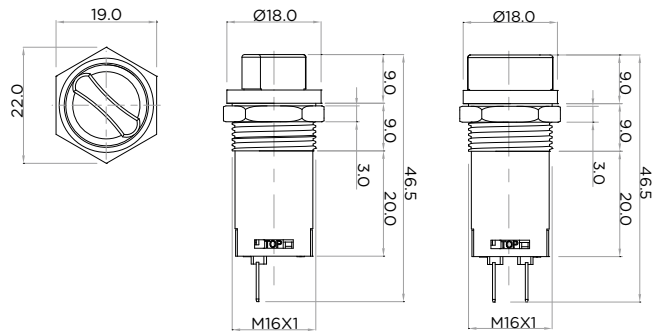
Illumination Push Button Switch (Dome)



Non-Illumination Selector Switch

2 Step

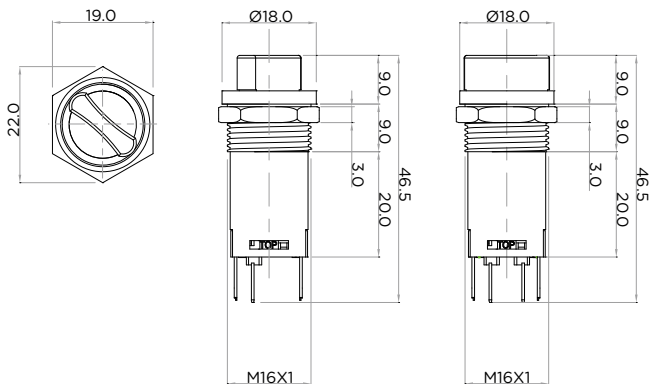
3 Step



Illumination Selector Switch

2 Step

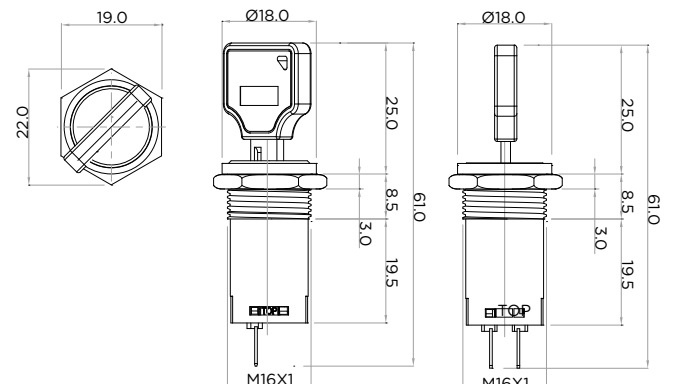
3 Step



Key Selector Switch

2 Step

3 Step

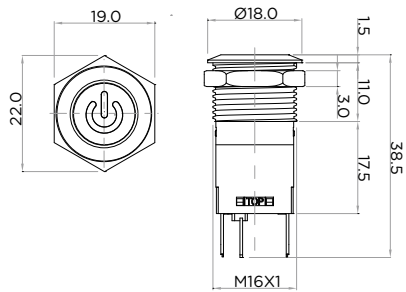


Dimension

unit : mm

T16 Series - Ø16

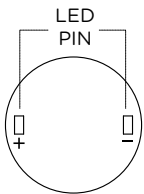
Power Marking Illuminated LED Push Button Switch



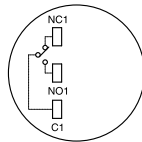
Wiring Diagram

Panel cut-out

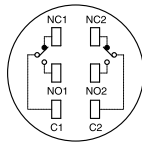
Pilot lamp



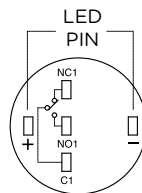
Non-Illumination
1N/O + 1N/C



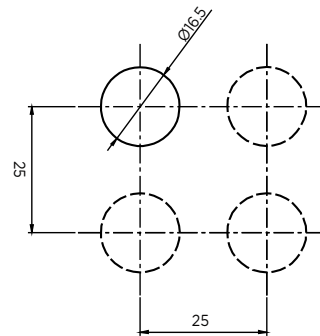
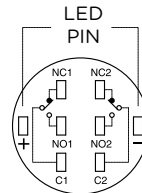
Non-Illumination
2N/O + 2N/C



Illumination
1N/O + 1N/C



Illumination
2N/O + 2N/C



Human-Machine
Interface

Control Switch

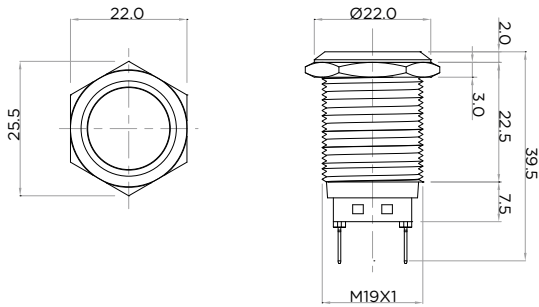
T Series

Dimension

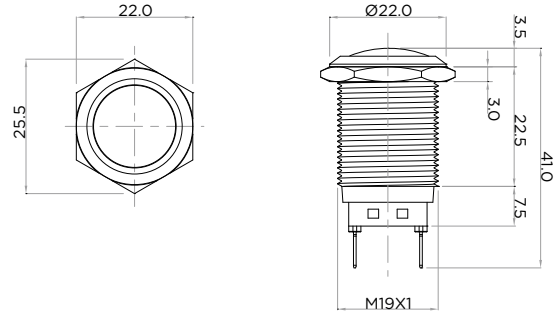
unit : mm

T19 시리즈 - Ø19

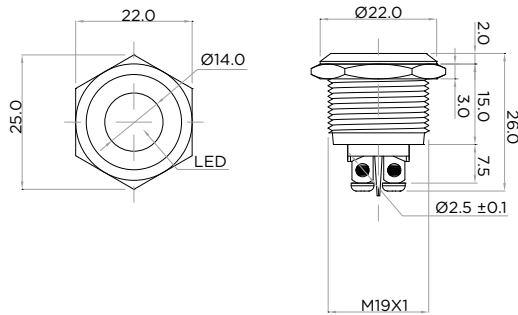
Pilot lamp (평형)



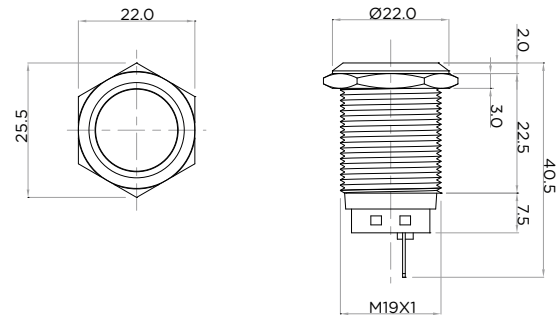
Pilot lamp (Dome)



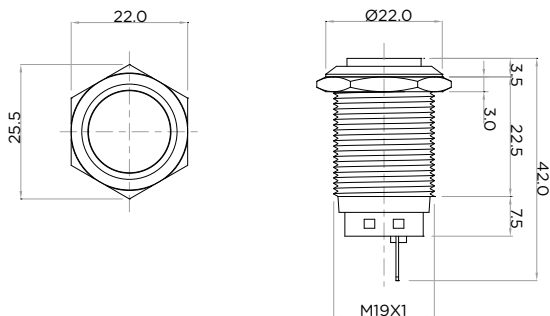
LED Pilot lamp (Lit Ttype , Bolt Type)



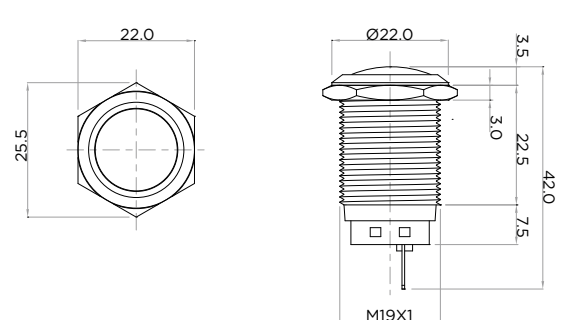
Non-Illumination Push Button Switch (Flush)



Non-Illumination Push Button Switch (Extended)



Non-Illumination Push Button Switch (Dome)

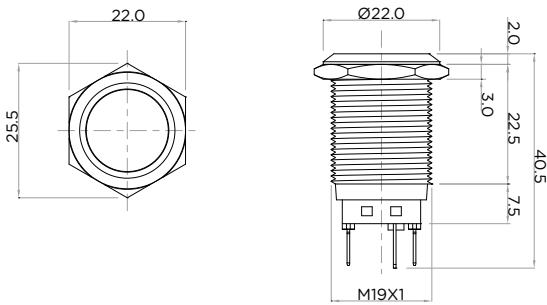


Dimension

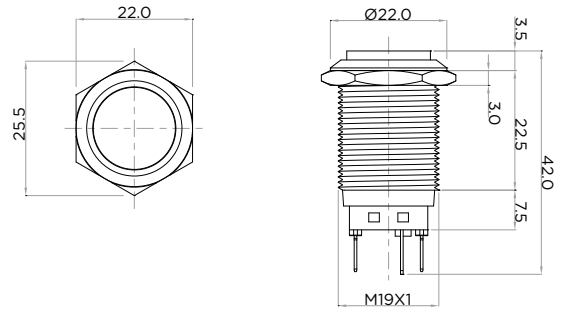
unit : mm

T19 시리즈 - Ø19

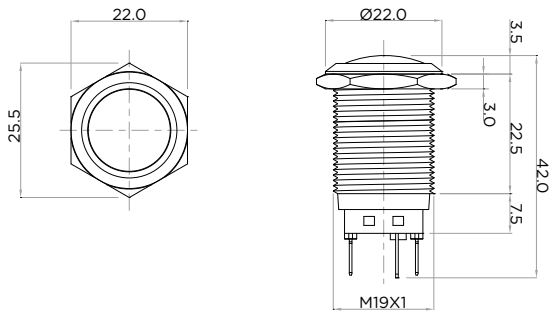
Illumination Push Button Switch (Flush)



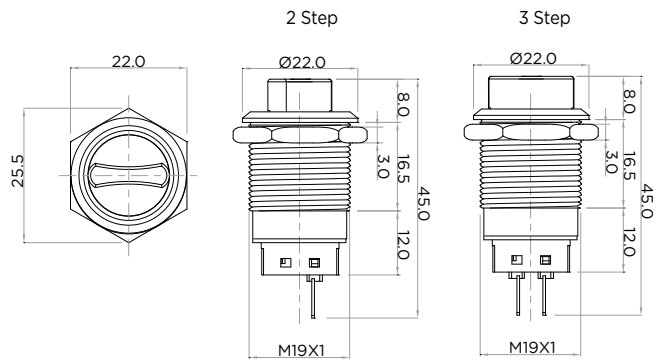
Illumination 누름버튼 (돌출)



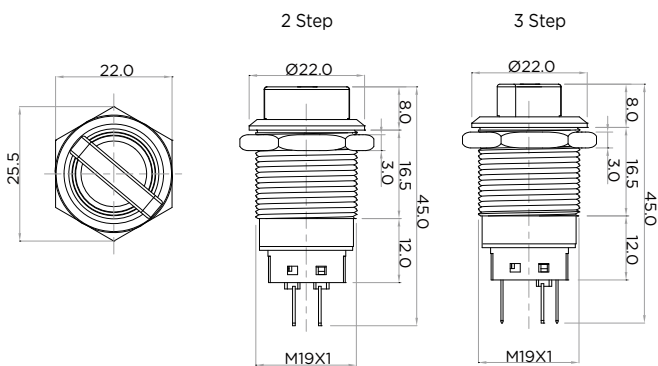
Illumination Push Button Switch (Dome)



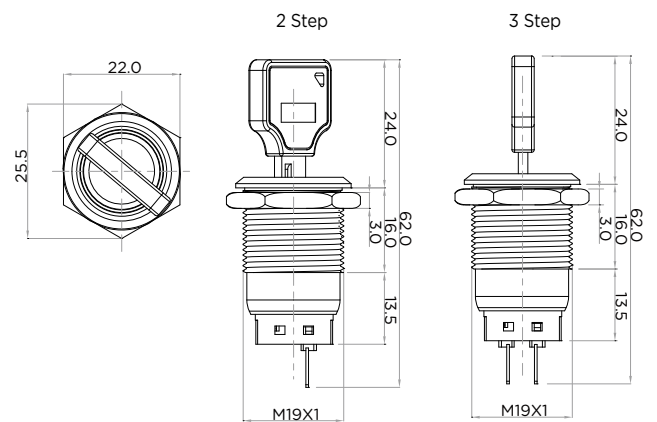
Non-Illumination Selector Switch



Illumination Selector Switch



Key Selector Switch



Human-Machine
Interface

Control Switch

T Series

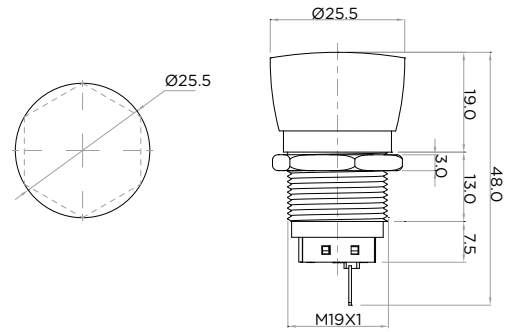
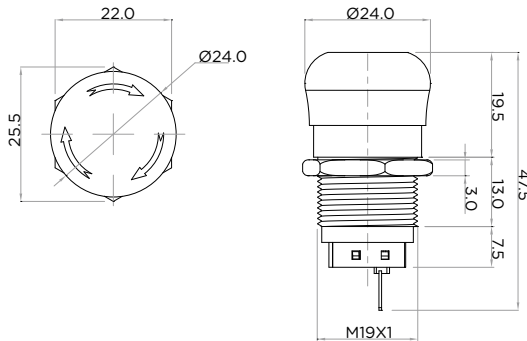
Dimension

unit : mm

T19 시리즈 - Ø19

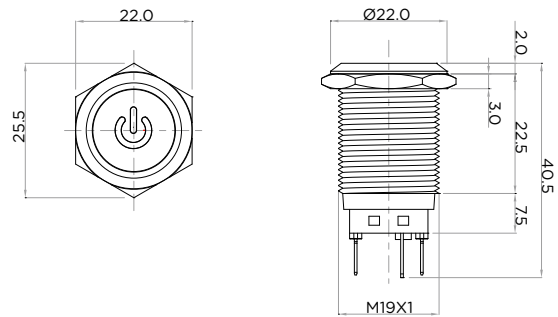
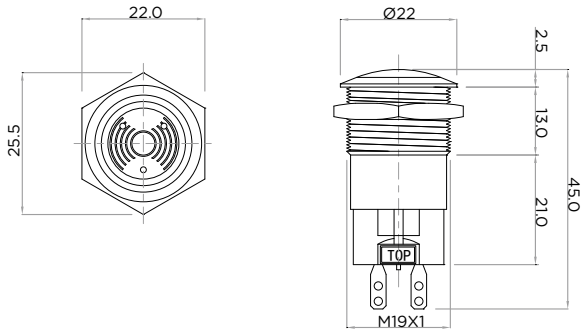
비상리셋 (일반형)

비상리셋 (Dome)



부저

Power Marking Illuminated LED Push Button Switch



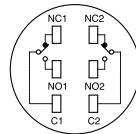
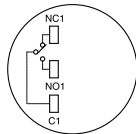
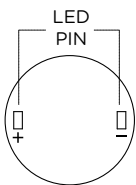
Wiring Diagram

Panel cut-out

Pilot lamp

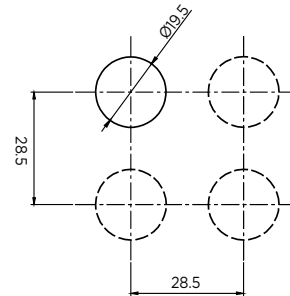
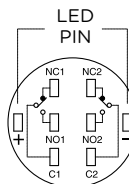
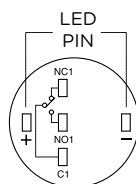
Non-Illumination
1N/O + 1N/C

Non-Illumination
2N/O + 2N/C



Illumination
1N/O + 1N/C

Illumination
2N/O + 2N/C

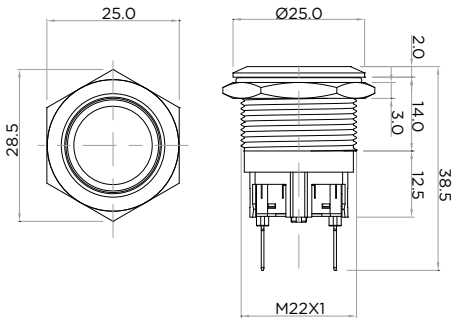


Dimension

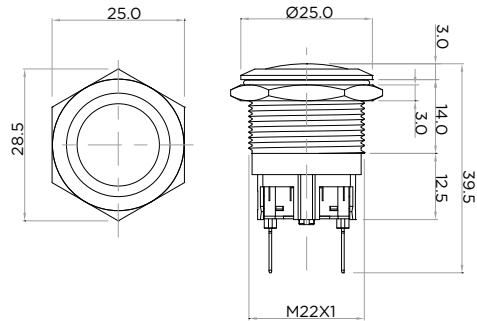
unit : mm

T22 시리즈 - Ø22

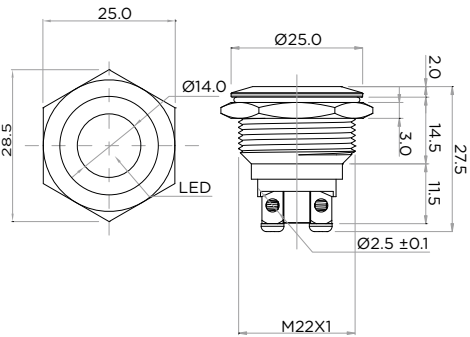
Pilot lamp (평형)



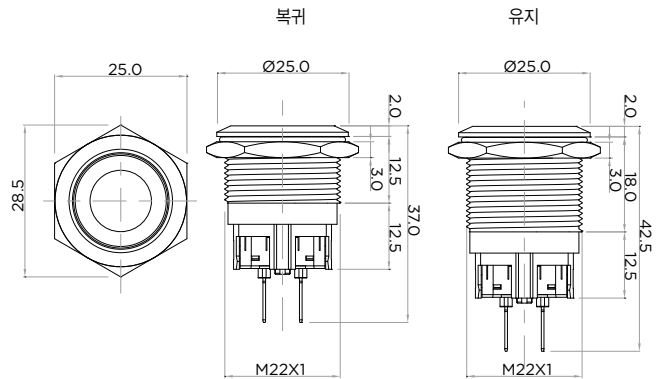
Pilot lamp (Dome)



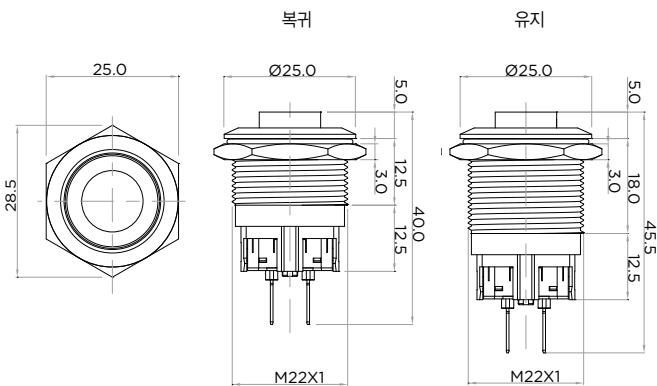
LED Pilot lamp (Lit Type, Bolt Type)



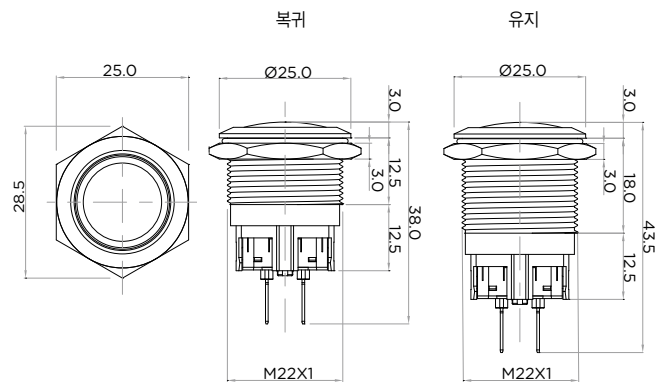
Non-Illumination Push Button Switch (Flush)



Non-Illumination Push Button Switch (Extended)



Non-Illumination Push Button Switch (Dome)



Human-Machine
Interface

Control Switch

T Series

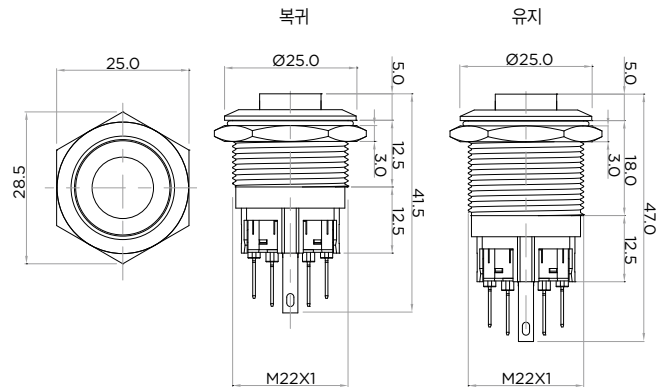
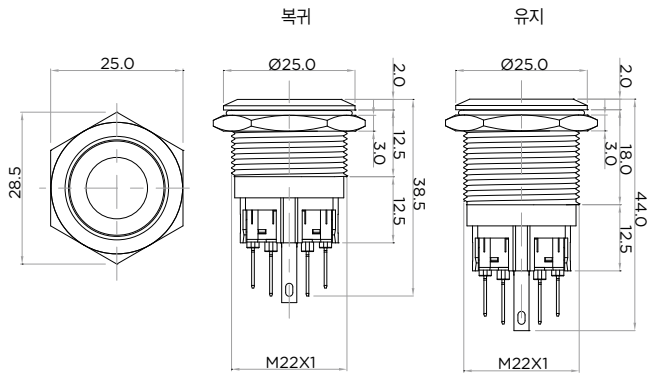
Dimension

unit : mm

T22 시리즈 - Ø22

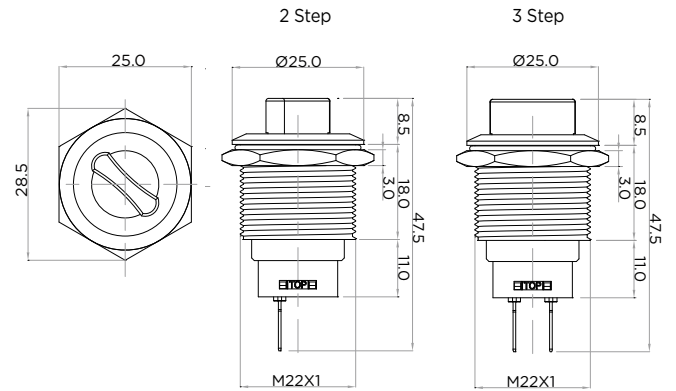
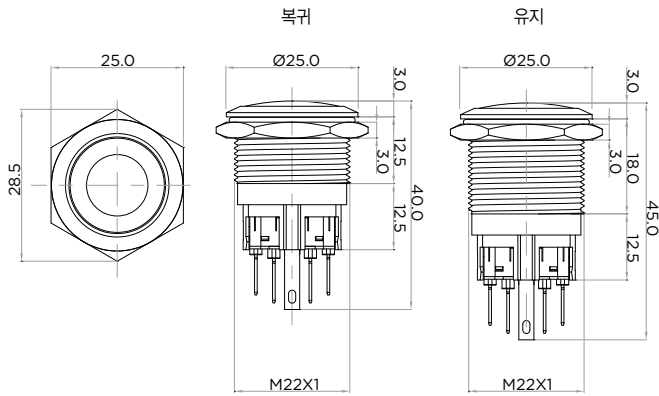
Illumination Push Button Switch (Flush)

Illumination 누름버튼 (들출)



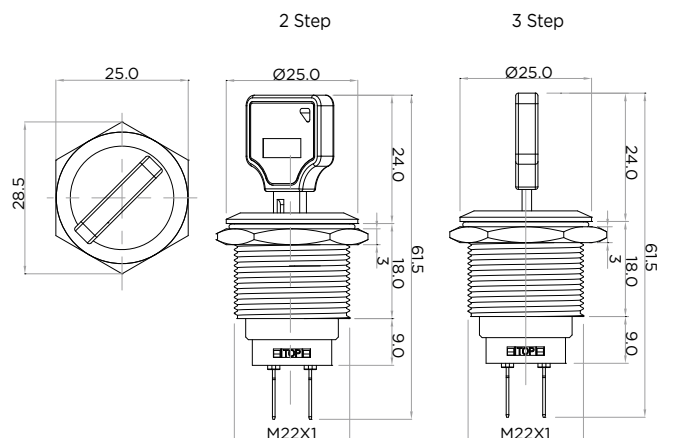
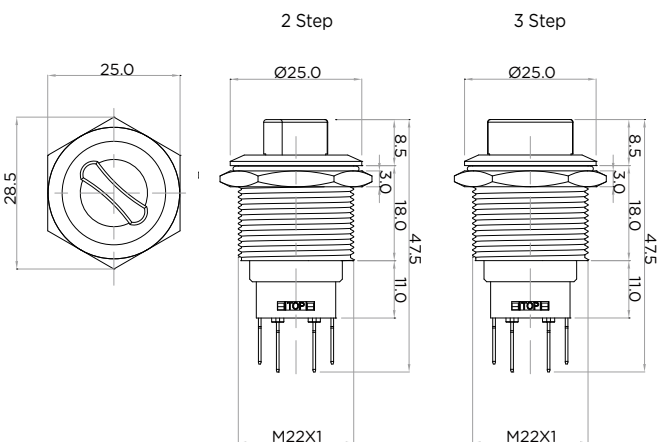
Illumination Push Button Switch (Dome)

Non-Illumination Selector Switch



Illumination Selector Switch

Key Selector Switch



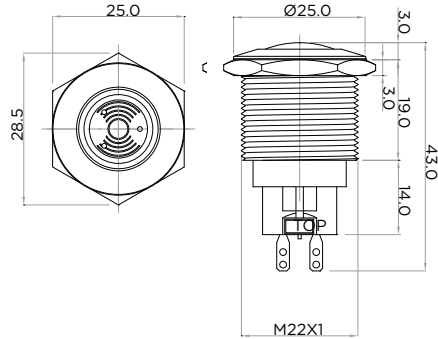
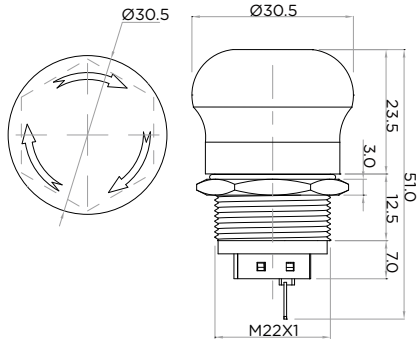
Dimension

unit : mm

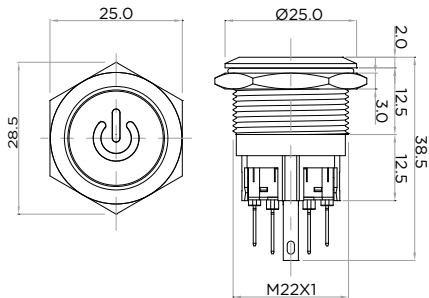
T22 시리즈 - Ø22

비상리셋 (일반형)

부저



Power Marking Illuminated LED Push Button Switch



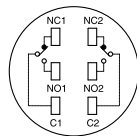
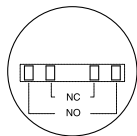
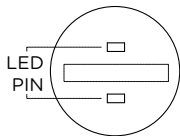
Wiring Diagram

Panel cut-out

Pilot lamp

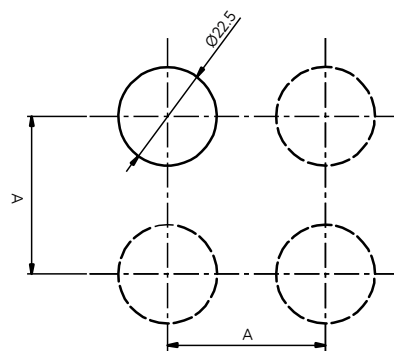
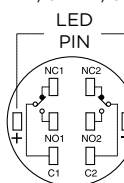
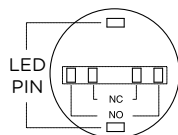
Non-Illumination
1N/O + 1N/C

Non-Illumination
2N/O + 2N/C



Illumination
1N/O + 1N/C

Illumination
2N/O + 2N/C



	A
비상외 전제품	31.5
비상	33.5

Control Switch

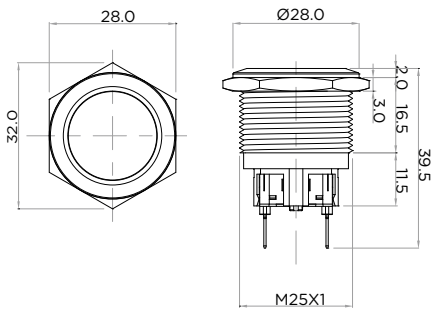
T Series

Dimension

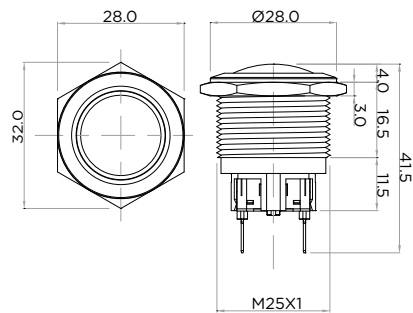
unit : mm

T25 시리즈 - Ø25

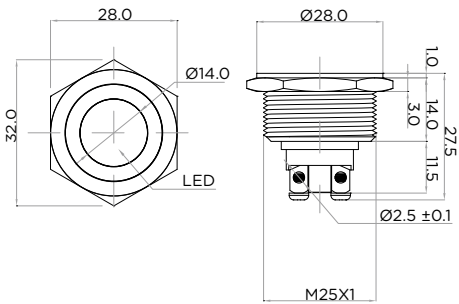
Pilot lamp (평형)



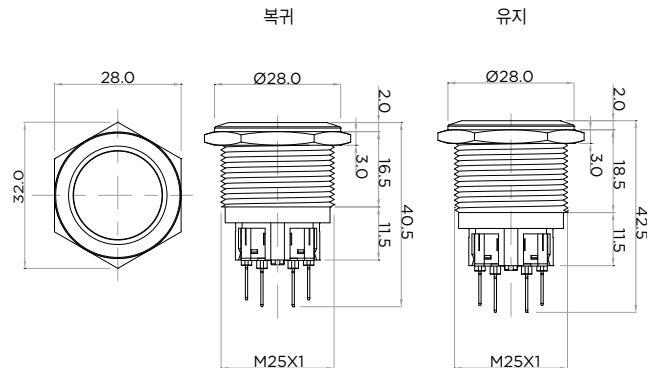
Pilot lamp (Dome)



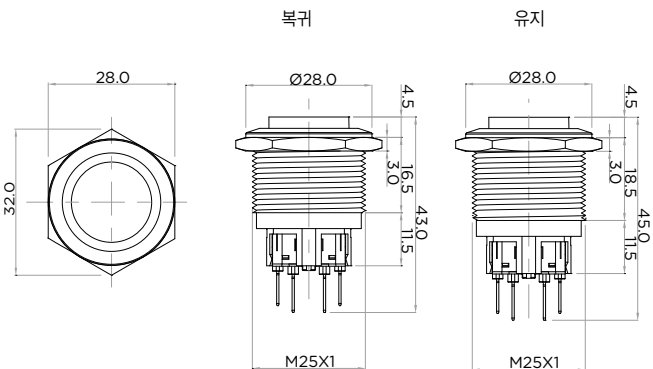
LED Pilot lamp (Lit T type, Bolt Type)



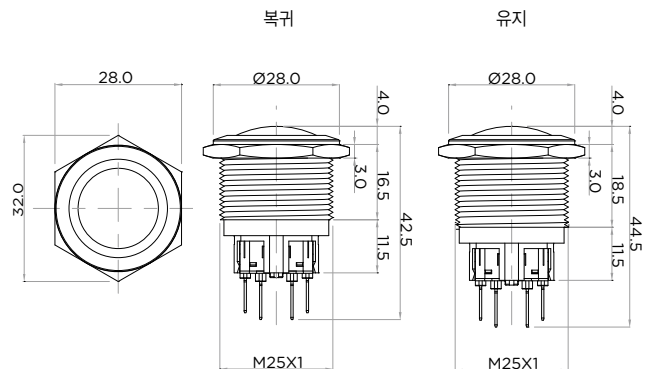
Non-Illumination Push Button Switch (Flush)



Non-Illumination Push Button Switch (Extended)



Non-Illumination Push Button Switch (Dome)



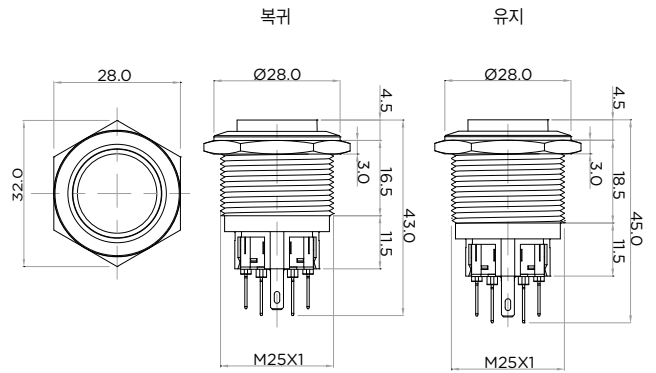
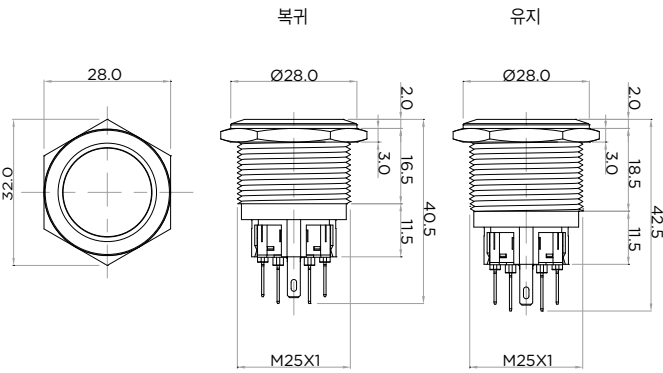
Dimension

unit : mm

T25 시리즈 - Ø25

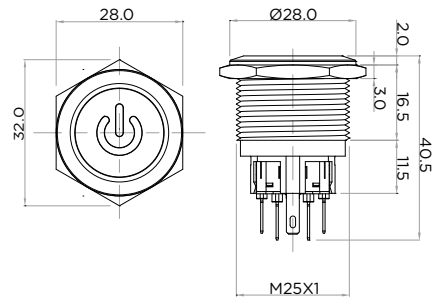
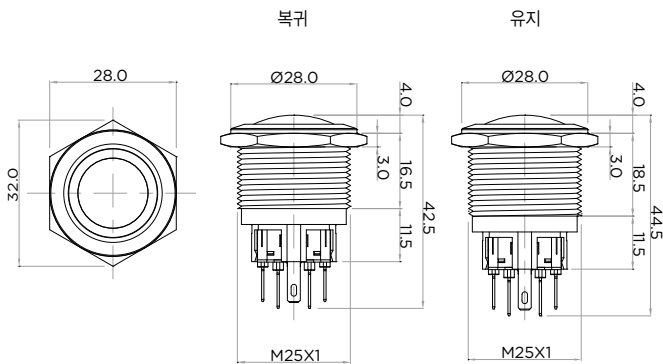
Illumination Push Button Switch (Flush)

Illumination 누름버튼 (들출)



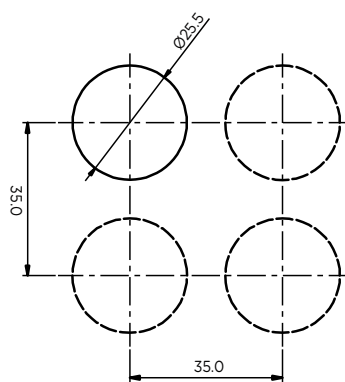
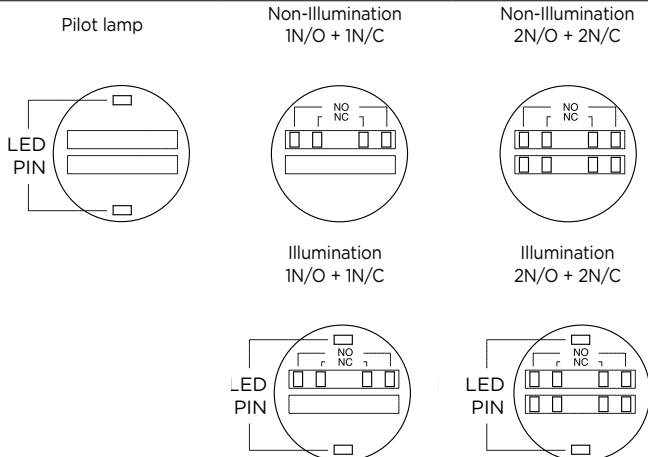
Illumination Push Button Switch (Dome)

Power Marking Illuminated LED Push Button Switch



Wiring Diagram

Panel cut-out



Control Switch

T Series

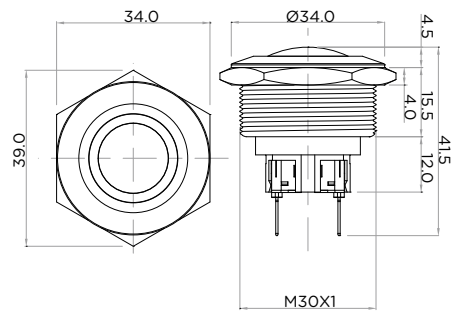
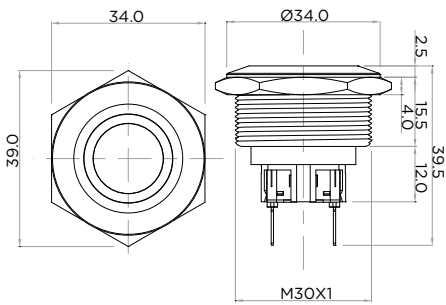
Dimension

unit : mm

T30 시리즈 - Ø30

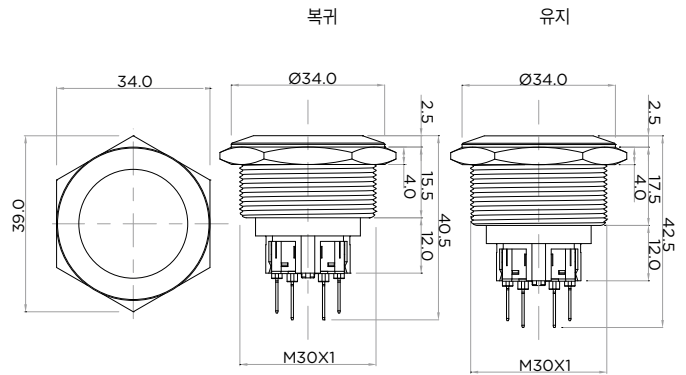
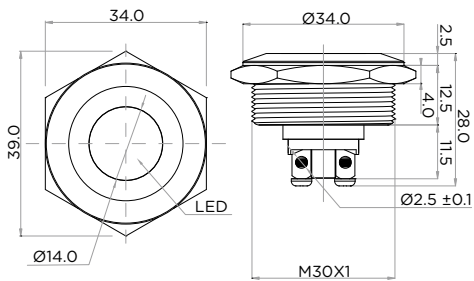
Pilot lamp (평형)

Pilot lamp (Dome)



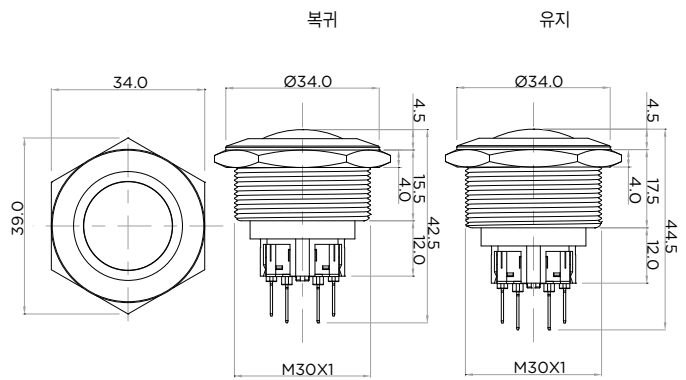
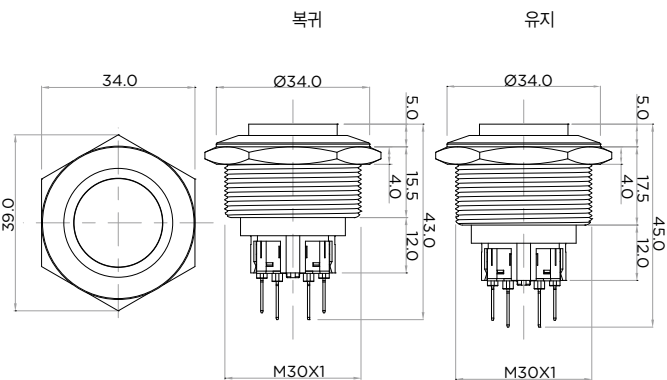
LED Pilot lamp (Lit Type , Bolt Type)

Non-Illumination Push Button Switch (Flush)



Non-Illumination Push Button Switch (Extended)

Non-Illumination Push Button Switch (Dome)



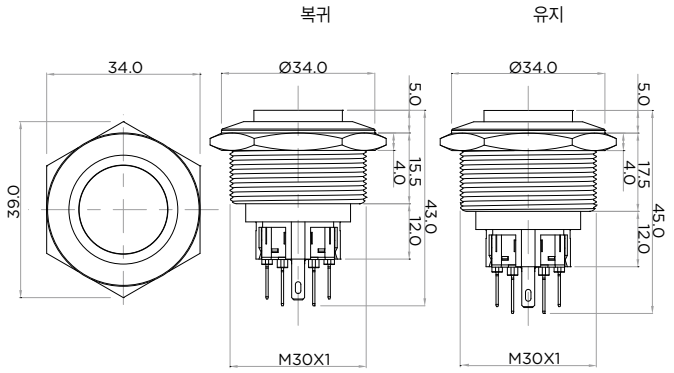
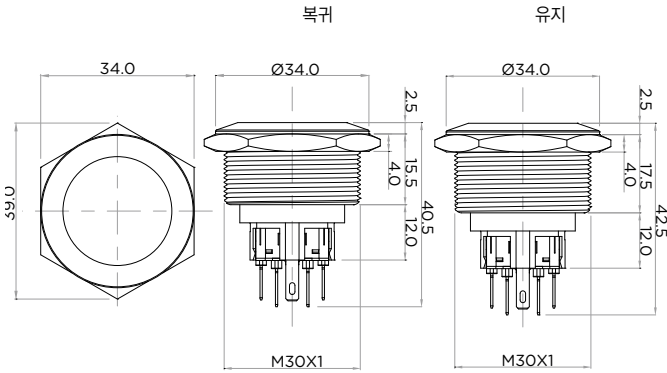
Dimension

unit : mm

T30 시리즈 - Ø30

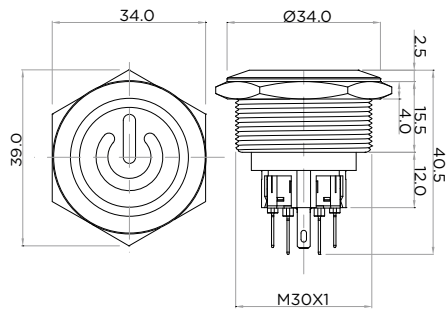
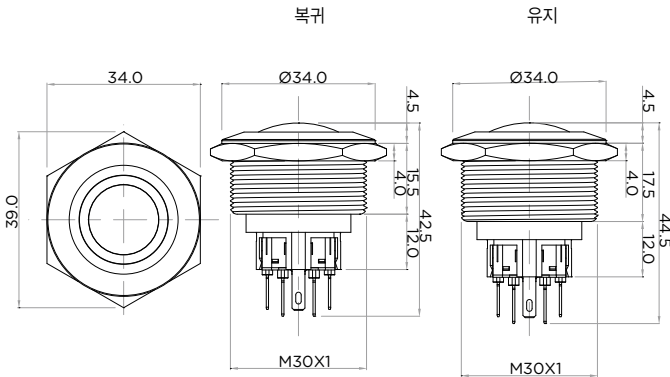
Illumination Push Button Switch (Flush)

Illumination 누름버튼 (돌출)



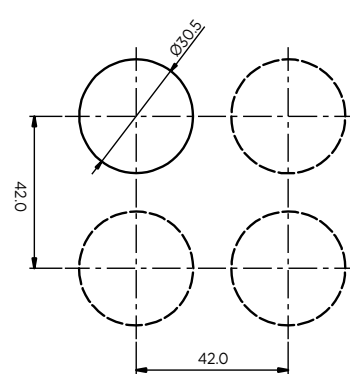
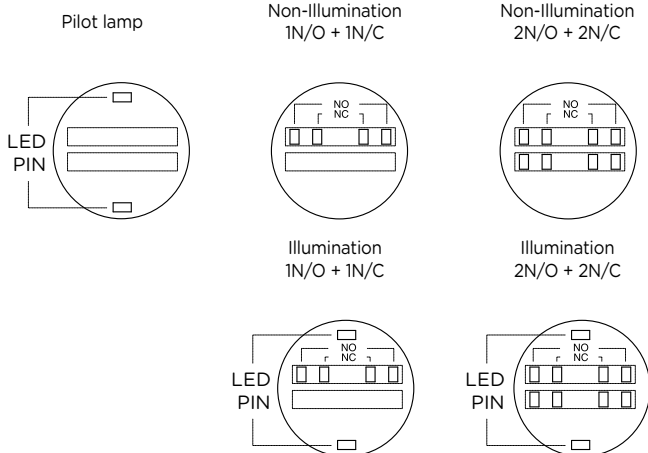
Illumination Push Button Switch (Dome)

Power Marking Illuminated LED Push Button Switch



Wiring Diagram

Panel cut-out



Human-Machine Interface

Control Switch

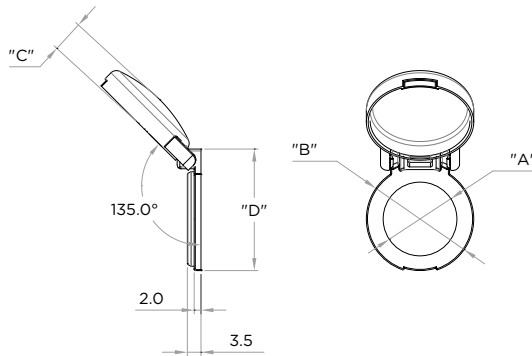
T Series

Dimension

unit : mm

Accessory

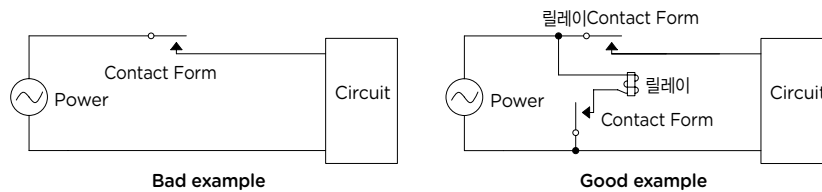
보호커버



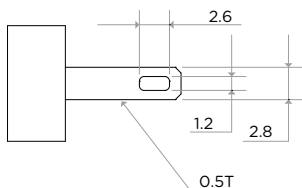
Model	A	B	C	D
T16-C	Ø16.5	Ø28.5	8.0	32.5
T19-C	Ø19.5	Ø28.5	8.0	32.5
T22-C	Ø22.5	Ø36.0	8.5	40.0
T25-C	Ø25.5	Ø36.0	8.5	40.0
T30-C	Ø30.5	Ø40.0	8.5	44.0

Caution

When using Ø16 small Control Switch as the power switch for the control unit, please follow the following instruction for longer product life span and reliability.



- If you are using a DC power source which is regulated from an AC source, the ripple of the DC power source should be within 10%.
⇒ If the power source does not have a stable voltage, the life span of the LED will be considerably shortened.
- Do not use excessive force or strike the products, which could cause damages.
(Driving torque for fixing panels 0.6~1N·m or lower)
- When soldering the wires, excessive heat or extensive use of soldering equipment can distort the shape of the product, which may result in damages.)
- There is a built-in current limiting resistance in the product, so no more additional resistances are need to be connected.
- The brightness of LED could be reduced up to 50% after rated life span.
- ※ The specification and the material of the products can be changed without notice for the improvement of the quality.



※ Terminal part specification (KSC 2624): Quick connect 2.8mm series (combined with soldering)